

# technical data

EKRTR

Altherma

# Altherma

**R-410A**

# Altherma

In all of us,  
a green heart



Daikin's unique position as a manufacturer of air conditioning equipment, compressors and refrigerants has led to its close involvement in environmental issues. For several years Daikin has had the intention to become a leader in the provision of products that have limited impact on the environment. This challenge demands the eco design and development of a wide range of products and an energy management system, resulting in energy conservation and a reduction of waste.



Het ISO14001 assures an effective environmental management system in order to help protect human health and the environment from potential impact of our activities, products and services and to assist in maintaining and improving the quality of the environment.



Daikin Europe N.V. is approved by LRQA for its Quality Management System in accordance with the ISO9001 standard. ISO9001 pertains to quality assurance regarding design, development, manufacturing as well as to services related to the product.

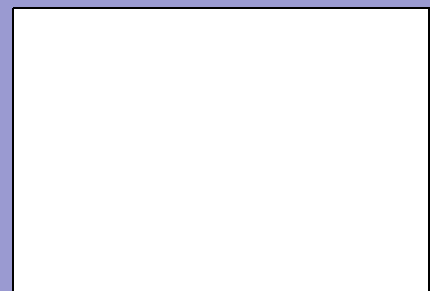


Daikin units comply with the European regulations that guarantee the safety of the product.



Daikin Europe N.V. participates in the Eurovent Certification Programme for Air Conditioners (AC), Liquid Chilling Packages (LCP) and Fan Coil Units (FC); the certified data of certified models are listed in the Eurovent Directory.

"The present publication is drawn up by way of information only and does not constitute an offer binding upon Daikin Europe N.V. Daikin Europe N.V. has compiled the content of this publication to the best of its knowledge. No express or implied warranty is given for the completeness, accuracy, reliability or fitness for particular purpose of its content and the products and services presented therein. Specifications are subject to change without prior notice. Daikin Europe N.V. explicitly rejects any liability for any direct or indirect damage, in the broadest sense, arising from or related to the use and/or interpretation of this publication. All content is copyrighted by Daikin Europe N.V."



## **DAIKIN EUROPE N.V.**

Naamloze Vennootschap

Zandvoordestraat 300

B-8400 Ostend, Belgium

[www.daikin.eu](http://www.daikin.eu)

BTW: BE 0412 120 336

RPR Oostende



# technical data

EKRTR

Altherma

# Altherma

**R-410A**

# TABLE OF CONTENTS

## EKRTR

1	Features .....	5
2	Specifications .....	6
	Technical Specifications .....	6
	Electrical Specifications .....	6
3	Options .....	7
4	Dimensional drawing & centre of gravity .....	8
	Dimensional drawing .....	8
5	Wiring diagram .....	9
	External connection diagram .....	9

# 1 Features

1



## 2 Specifications

2-1 TECHNICAL SPECIFICATIONS				EKTRTR thermostat	
Dimensions	Unit	Height	mm	87	
		Width	mm	125	
		Depth	mm	34	
	Packing	Height	mm	70	
		Width	mm	200	
		Depth	mm	140	
Weight	Unit	Net	g	210	
		Gross	g	665	
		Material		Carton	
Packing	Weight		g	85	
	Ambient temperature	Storage	°C	-20-60	
Operation		°C	0-50		
Temperature setting range	Heating	°C	4-37		
	Cooling	°C	4-37		
Temperature setting resolution			°C	0.5	
Clock			Yes		
Regulation function			Proportional band		
Features	Item	Heating only			
		Heating and cooling			
		Comfort function mode (= comfort setpoint)			
		Reduced function mode (=night setback setpoint)			
		Scheduled function mode(= schedule timer)			
		Number of setpoint changes			
	Note	12/day			
	Item	Holiday function mode			
		Off function (with integrated frost protection)			
		Setpoint limitation			
		Keylock function			
		Floor temperature protection			
	Note	Only in combination with EKRTETS			

2-2 ELECTRICAL SPECIFICATIONS				EKTRTR thermostat	
Power Supply	Voltage		battery powered 3* AA-LR6 (alkaline)		
Connection			Wireless		
Maximum distance to receiver	Indoor	m	approx. 30m		
	Outdoor	m	approx. 100m		

### 3 Options

**Additional information:**

comfort function mode	Use this mode for a fixed temperature on comfort level. (comfort setpoint default on 21°C in heating mode, 24°C in cooling mode)
reduced function mode	Use this mode for a fixed temperature on reduced level. (reduced setpoint default on 17°C in heating mode, 28°C in cooling mode)
scheduled function mode	Use this mode to let your installation be controlled by the schedule timer. The actions programmed in the schedule timer will be executed automatically according to the actual time. This function uses the scheduled temperature setpoint.
holiday function mode	Use this mode to set a fixed temperature during a long absence.
off function	Use this mode to switch of your installation. Integrated frost protection remains activated. (frost protection default on 4°C in heating mode)
setpoint limitation	Use this function to limit the setpoint range for the end customer.
floor temperature protection	Use this function to set a maximum and a minimum floor temperature.

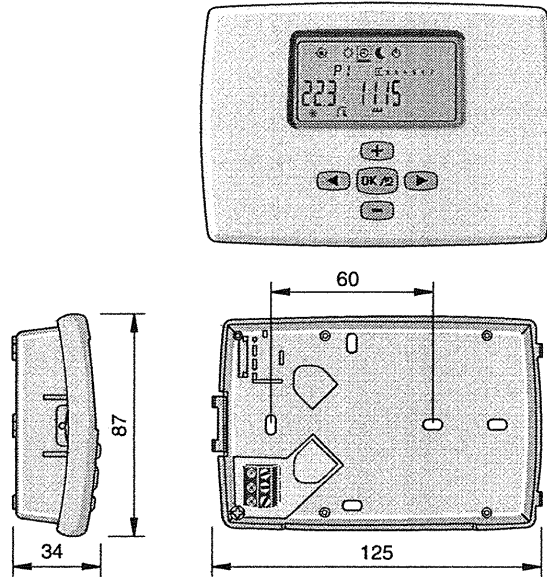
4TW57991-2

3

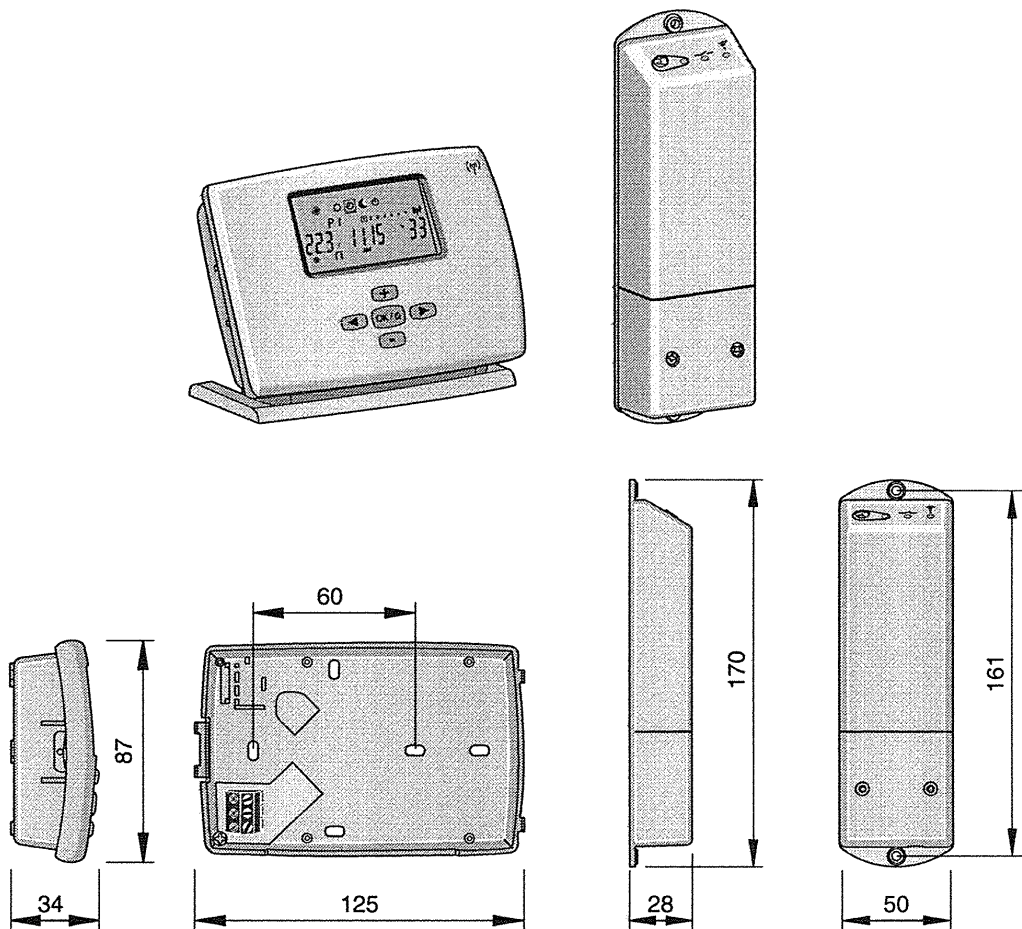
# 4 Dimensional drawing & centre of gravity

## 4 - 1 Dimensional drawing

EKRTW



EKRTR



4TW57994-1



# 5 Wiring diagram

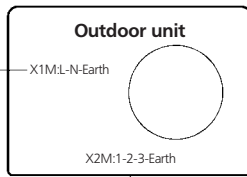
## 5 - 1 External connection diagram

EKHB-A

**Power supply**

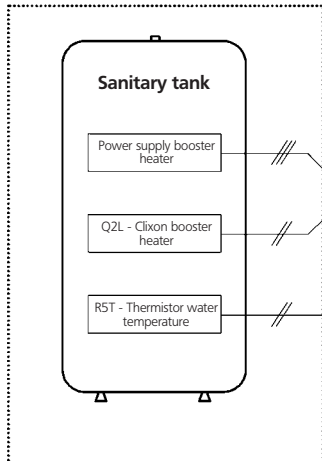
Unit power supply: 230V + earth  
 Backup heater power supply (3/6/9kW): 400V or 230V + earth  
 Optional power supply  
 Booster heater power supply (3kW): 400V or 230V + earth

**Standard parts**



For more details please check unit wiring diagram

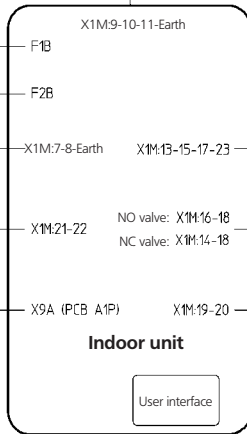
**Optional parts**



3 core  
 3 or 4 core

<10m: 4Gx1.5  
 >10m: 4Gx2.5  
 4 core

**Field supply**



**Room thermostat**



**2 way valve**



**3 way valve**



5 core 5Gx2.5  
 230V or 400V  
 2 core  
 Signal  
 Thermistor cable  
 Note: min. distance to power cable = 3cm

3TW56719-6